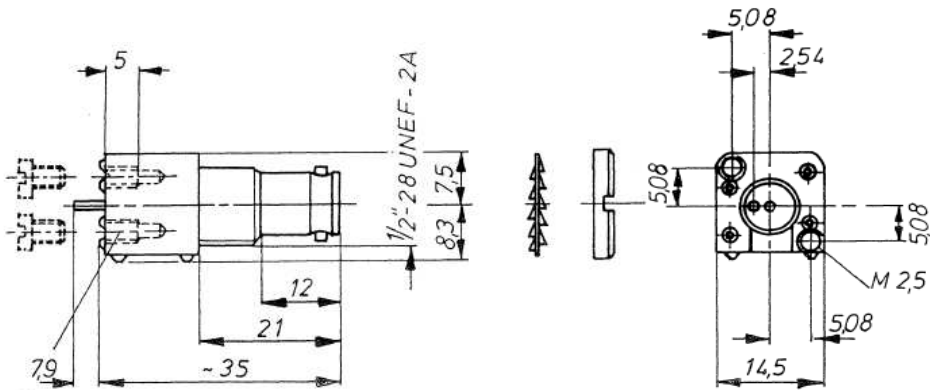
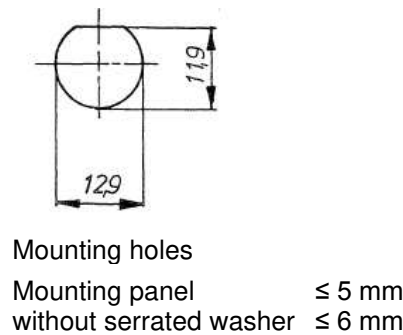
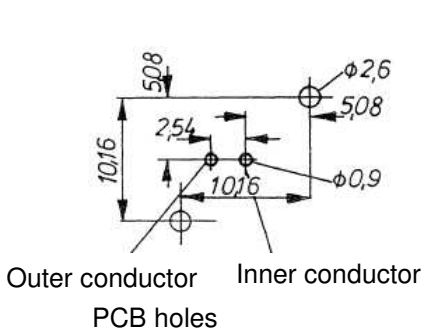


# Panel Socket - insulated

BNC 75 Ohm



for fixing screw M 2.5



**Insulated,  
Mounting in printed circuits – also with capacitive decoupling**

Accessories (extra order): Socket wrench Part-No. 90-1108-1808  
Slotted Nut with colour ring Part-No. 2-2994-2494 (black) and other colours

Capacity after assembly between the cable shield and housing potential for removing RF-interference levels and EMI reduction.	Part Number
9400 pF	1-3838-2144
without	1-3699-2144

**DAMAR & HAGEN**