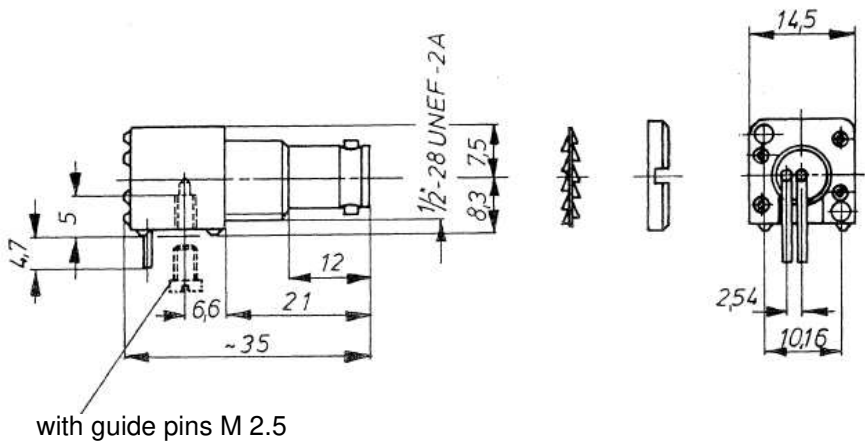
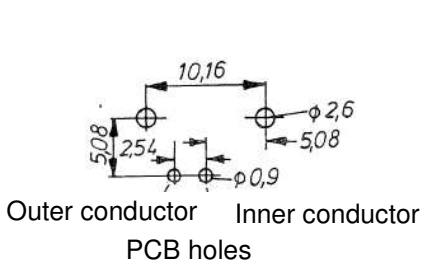


Panel Socket - insulated

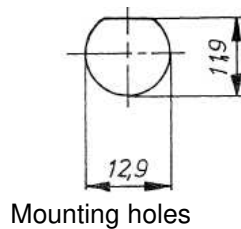
BNC 75 Ohm



with guide pins M 2.5



Outer conductor Inner conductor
PCB holes



Mounting holes

Mounting panel ≤ 5 mm
without serrated washer ≤ 6 mm

**Insulated,
Mounting in printed circuits – also with capacitive decoupling**

Accessories (extra order): Socket wrench Part-No. 90-1108-1808

Slotted Nut with colour ring Part-No. 2-2994-2494 (black) and other colours

Capacity	Part Number
after assembly between the cable shield and housing potential for removing RF-interference levels and EMI reduction	
9400 pF	1-3840-2145
without	1-3701-2145

