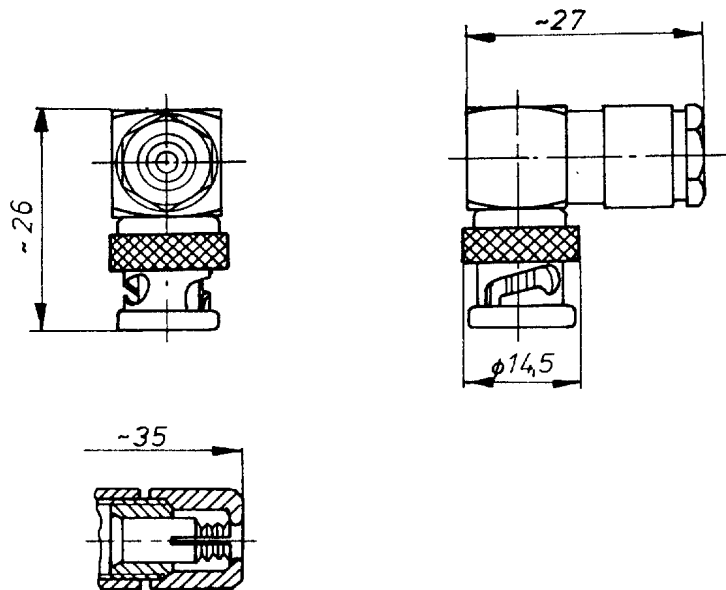


# Cable Plug - angled

BNC 75 Ohm



with additional clamping of  
the cable sheath on request

Inner conductor - Solder connection  
Outer conductor - Clamp connection

Cable-nominal-Ø	Cable Group*	Reference Cable*	Part Number	Assembly Instruction
3	1, 2	RG-174; RG-179B	1-1197-2101	14
4	3, 4	RG-122; RG-195	1-1198-2101	
5	5, 64	---	1-1199-2101	3
	19, 42	0.6/2.8AF <i>Draka</i>	1-1212-2101	
6	8	RG-62	1-1200-2101	11
	23	0.6/3.7 <i>Draka</i> ; RG-59	1-1207-2101	
	50	0.8/3.7AF <i>Draka</i>	1-1216-2101	
7	11, 51	0.8/4.9D; 1.0/4.8AF <i>Draka</i>	1-1201-2101	3
9	12, 13	1.0/6.6; RG-6A	1-1202-2101	
	52	1.4/6.6AF <i>Draka</i>	1-4065-2101	
11	28	RG-11A	1-2244-2101	4
	29	RG-13A	1-2245-2101	

\* see *Cable Table Coaxial Cable*

**DAMAR & HAGEN**