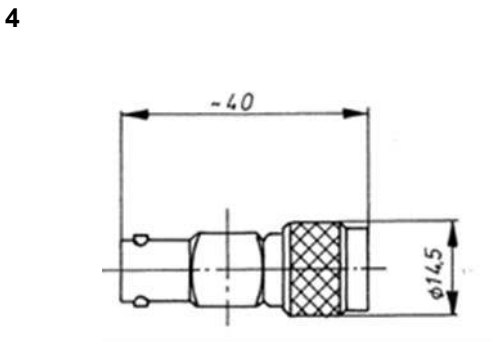
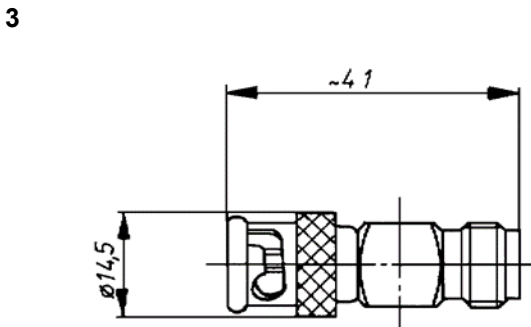
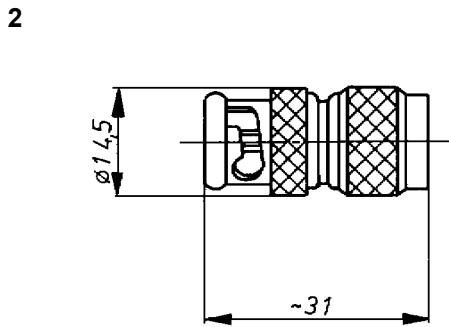
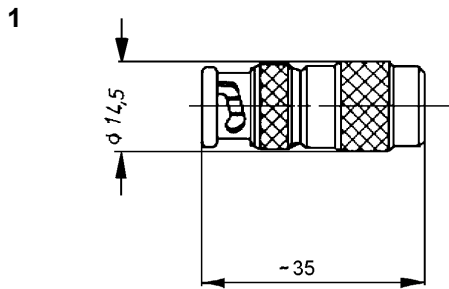


Adapters



No.	Part Number	Description	
		1st Series	2nd Series
1	1-3458-2930	Plug BNC 75 Ohm ↔	Socket IEC
2	1-3921-2910	Plug BNC 75 Ohm ↔	Plug TNC 75 Ohm
3	1-3922-2930	Plug BNC 75 Ohm ↔	Socket TNC 75 Ohm
4	1-3923-2930	Socket BNC 75 Ohm ↔	Plug TNC 50 Ohm

The specified data serve only to describe the product and should not be considered legally binding, guaranteed properties. We reserve the right to make constructional changes, determine delivery and are not responsible for any errors and omissions.