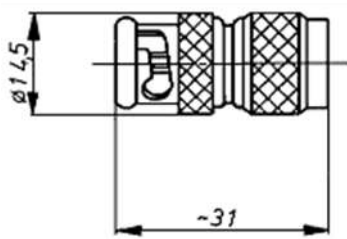
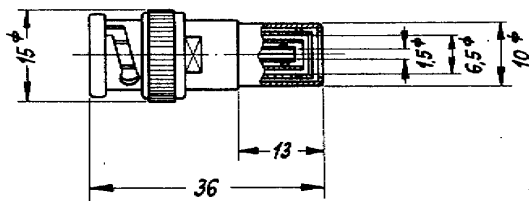


Adapters

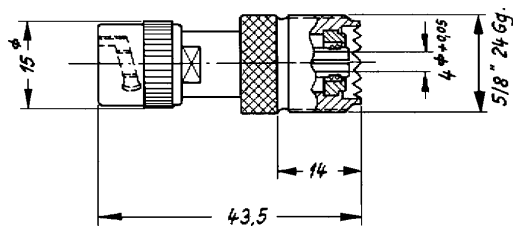
1



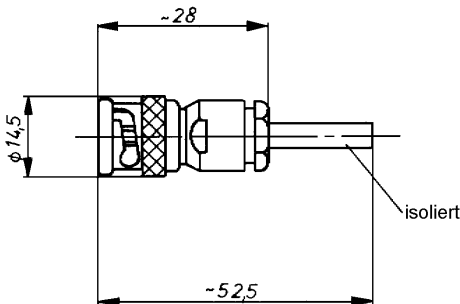
2



3



4



No.	Part Number	Description	
		1st Series	2nd Series
1	1-3925-2910	Plug BNC 50 Ohm	↔ Plug TNC 50 Ohm
2	1-1835-2930	Plug BNC 50 Ohm	↔ Socket 2,5/6 DIN 47296
3	1-1836-2930	Plug BNC 50 Ohm	↔ Socket UHF
4	1-3106-3030	Plug BNC 50 Ohm	↔ Safety Connector Multi Contact 1 Socket Ø 4 mm

The specified data serve only to describe the product and should not be considered legally binding, guaranteed properties. We reserve the right to make constructional changes, determine delivery and are not responsible for any errors and omissions.