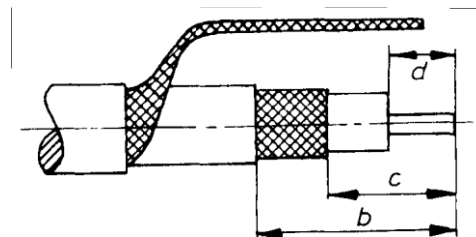
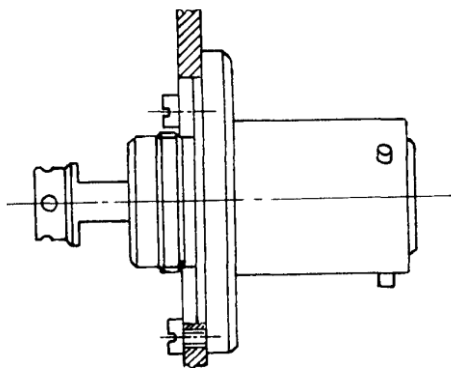


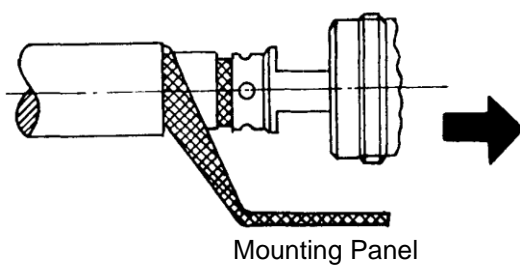
Strip the insulation from the cable as specified in the table.



Strip the insulation from the cable as specified in the table. Unravel the outer braiding and place it to the side. Shorten the cable and strip the insulation from the remaining cable.



Fix the panel cable plug onto the mounting panel.



Insert the cable in the plug-in connection. Finally, solder the inner conductor and the inner shield.

Assembly Instruction	a	b	c	d
107	-	17.0	8.0	4.0
108	52.0	17.0	8.0	4.0