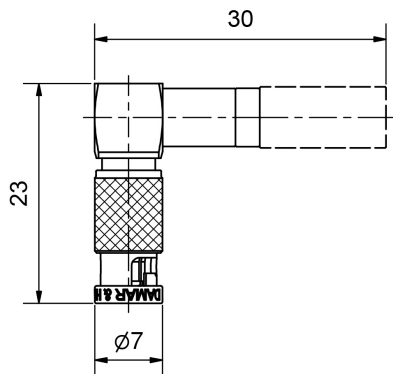


Cable Plug - angled for Cable-Ø 3-5

BNCmicro



Cable plug suited for sockets with a grid dimension „M“ ≥ 8 mm

Return loss: ≥ 29 dB up to 3 GHz (6G)
 ≥ 21 dB up to 6 GHz (12G)

Durability (mating cycles): ≥ 1000

Accessories (to be ordered separately): Shrink sleeve

Other variations: see page „Design Options“

Cable-Ø	Cable group*	Reference cable*	Part Number	HEX**	Assembly instruction
3	2	RG-179	1-8769-13901	1,2/3,3	209
	79	RG-179 DT Belden; 7500A Belden			
	100	VDU 042 LP Klotz	1-8770-13901		
4	71	0,58/2,6 AF/4,0 Draka; 1855A Belden; 4855R Belden	1-8771-13901	1,2/4,5	
	74	0,41/1,9 AF/ 3,1 Draka; 70078CH Belden	1-8772-13901		
	99	7501A Belden	1-8773-13901		
5	42	0,6/2,8 AF Draka; 1855 ENH Belden	1-8774-13901	1,2/5,4	
	91	ULTRA HD PRO 50 UHD Draka	1-8775-13901		

*see Cable Table *Coaxial Cable*

** Hex-Crimp dimensions for crimp dies

BNCmicro made by Damar & Hagen is intermateable with HD-BNCTM of Amphenol®

The specified data serve only to describe the product and should not be considered legally binding, guaranteed properties. We reserve the right to make constructional changes, determine delivery and are not responsible for any errors and omissions.

DAMAR & HAGEN

Made
in
Germany