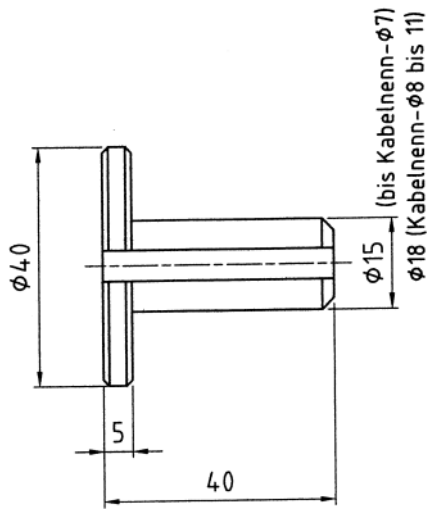


Pull-Out Mandrel



Usage for comfortable mounting of Strain Relief Sleeves.

For Strain Relief Sleeves with Cable- ϕ	Part Number
2	90-1207-1215
3	90-1208-1215
4+5	90-1209-1215
6+7	90-1210-1215
8	90-1237-1215
9+11	90-1235-1215

The specified data serve only to describe the product and should not be considered legally binding, guaranteed properties. We reserve the right to make constructional changes, determine delivery and are not responsible for any errors and omissions.