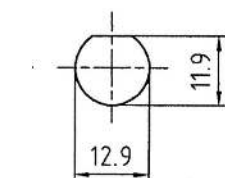
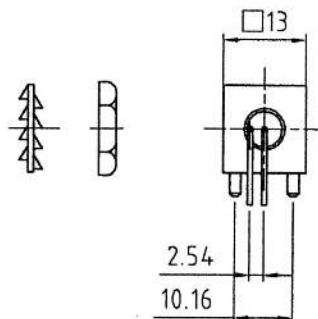
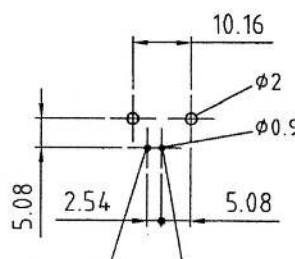


with guide pins  $\varnothing 1.8$



Mounting hole  
Mounting panel  $\leq 5$  mm  
without serrated washer  $\leq 6$  mm

PC board hole pattern



Outer conductor Inner conductor

## Mounting in printed circuit

Other variation: See page „Design Options“

Part Number
1-7119-2445

The specified data serve only to describe the product and should not be considered legally binding, guaranteed properties. We reserve the right to make constructional changes, determine delivery and are not responsible for any errors and omissions.